

Fat Truck 8x8 Hauler



Weight empty : 13 000 lb

Max Speed Land : 25 mph / 40 kph

Max Speed Water : 3.1 mph / 5 kph



Ground Pressure : 1.9 psi loaded

GrounTotal Payload : 5 000 lb

Front Payload : 1 000 lb

Rear Payload : 4 000 lb / 5 000 lb

Fat Truck 8x8 Wagon



Weight empty : 14 000 lb

Max Speed Land : 25 mph / 40 kph

Max Speed Water : 3.1 mph / 5 kph



Ground Pressure : 1.9 psi loaded

Total Payload : 5 000 lb

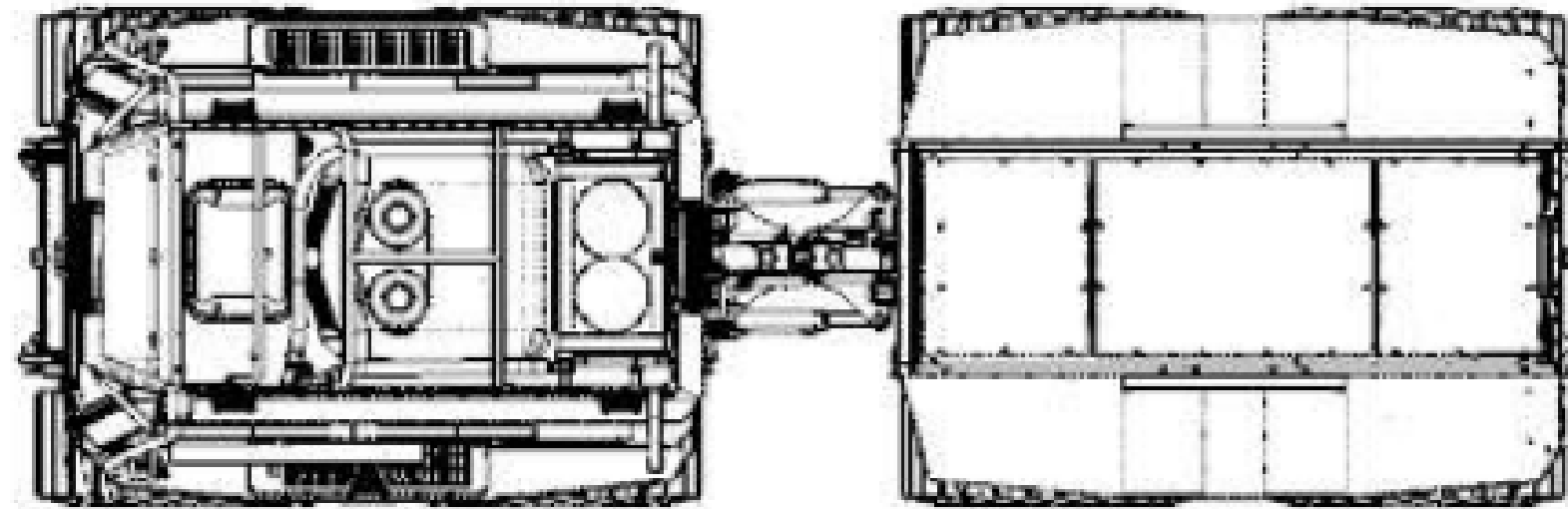
Front Payload : 1 000 lb

Rear Payload : 4 000 lb

Fat Truck 8x8 Hauler



Fat Truck 8x8 Hauler



Ground Pressure : 1.9 psi loaded
Articulation

- Up : 35 Degrees
- Down : 53 Degrees
- Side : 34 Degrees on each side
- Turning Radius : 23.9 ft

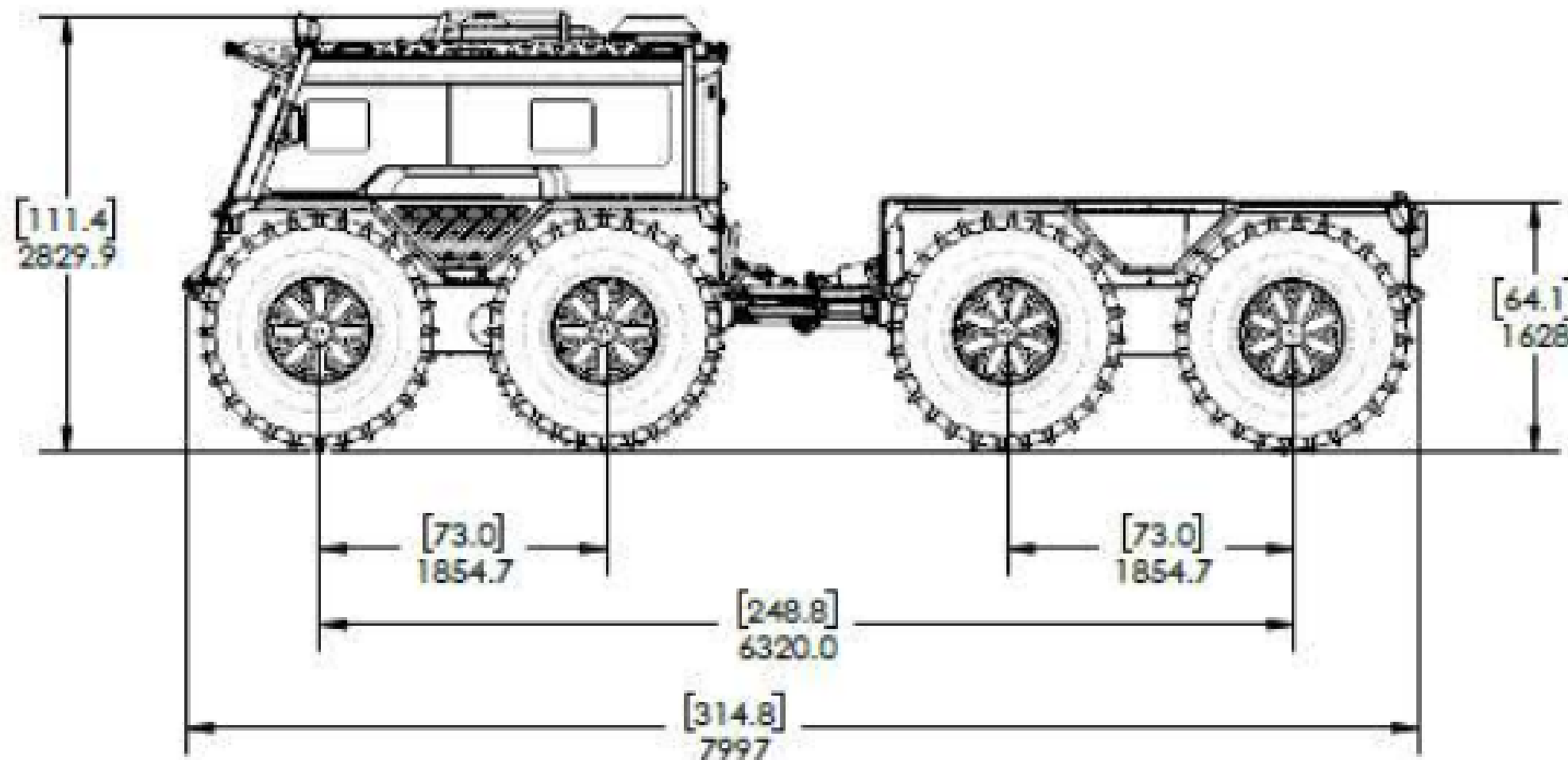
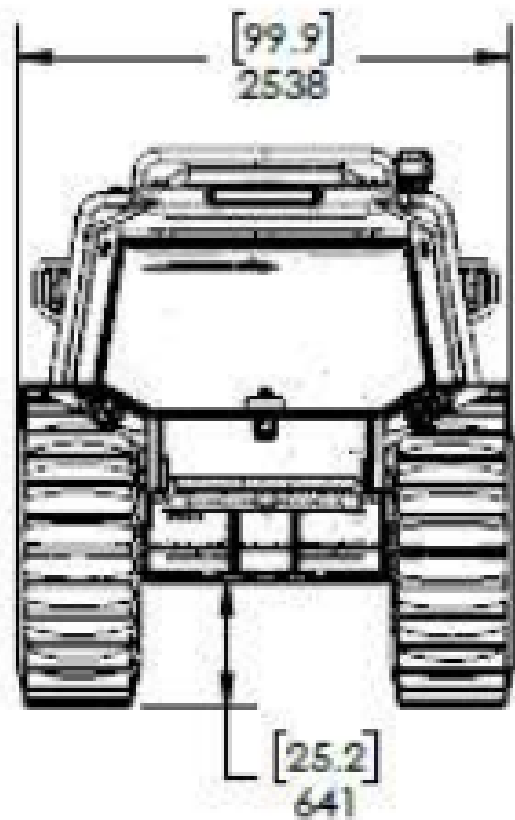
Engine

- Cummins F3.8 Tier 4 Final / Stage V
- 173 Hp
- 457 ft-lb @ 1500 RPM

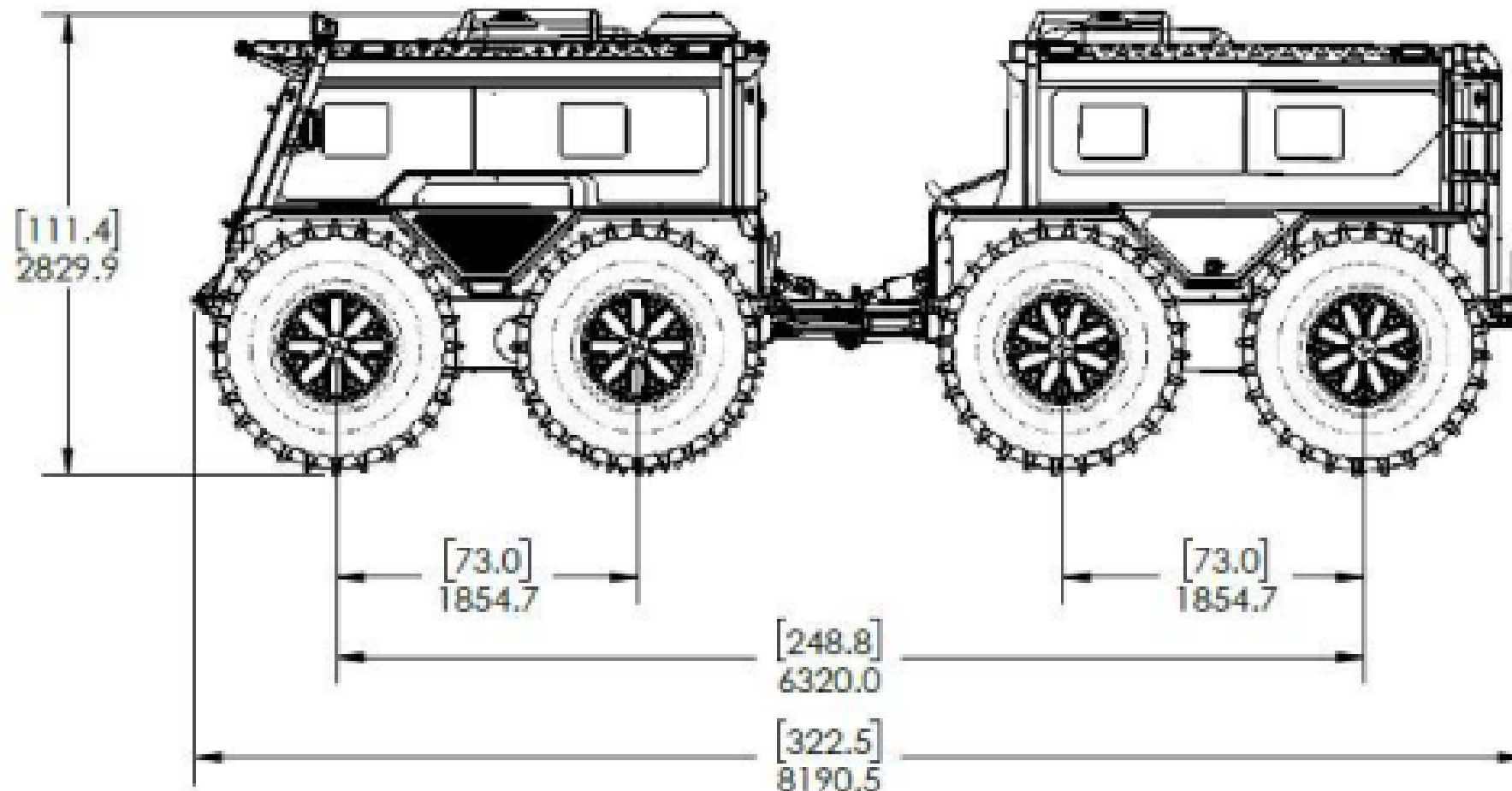
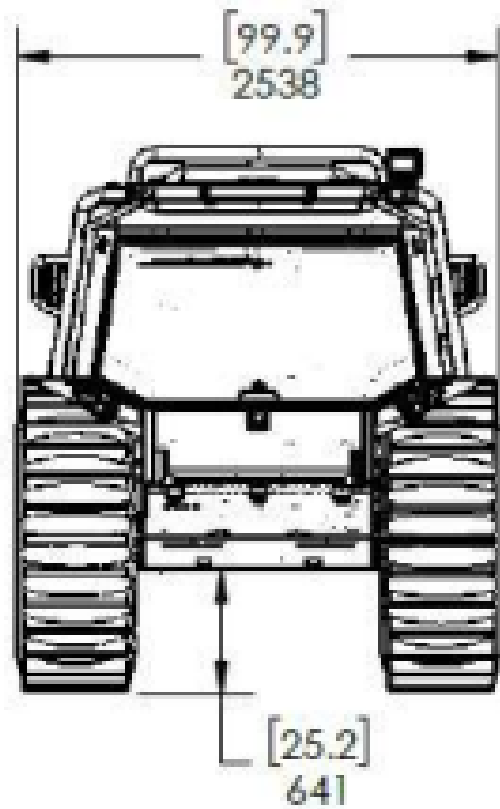
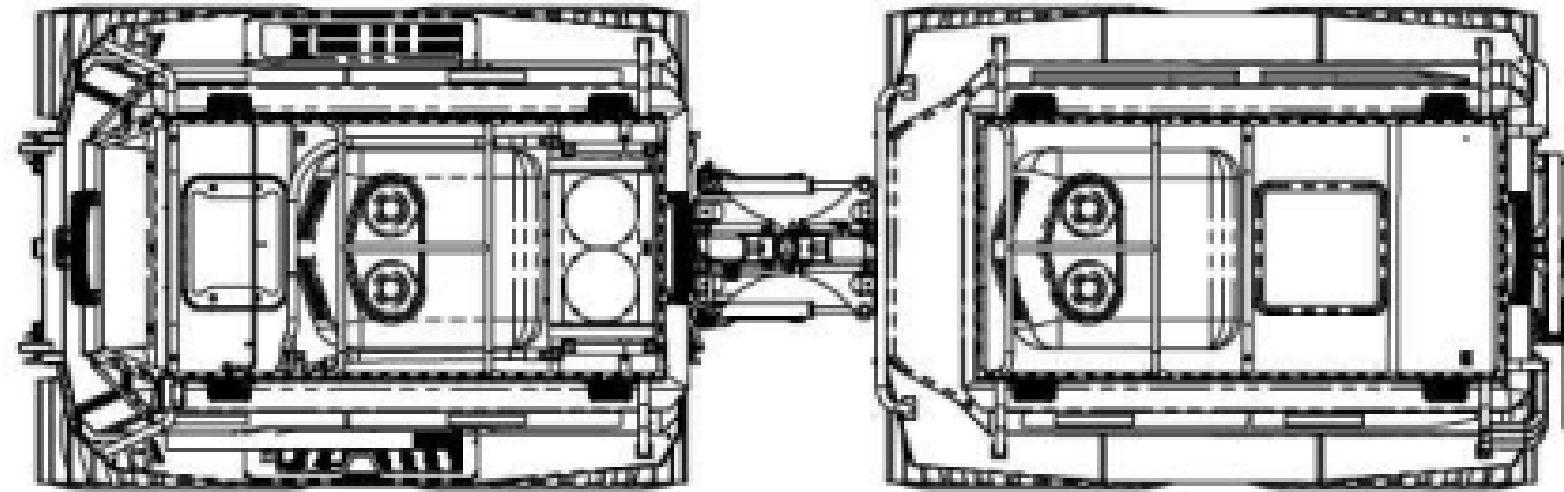
Fuel capacity : 170 l

Max hill : 70%

Max side hill : 40%



Fat Truck 8x8 Wagon



Ground Pressure : 1.9 psi loaded
Articulation

- Up : 35 Degrees
- Down : 53 Degrees
- Side : 34 Degrees on each side
- Turning Radius : 23.9 ft

Engine :

- Cummins F3.8 Tier 4 Final / Stage V
- 173 Hp
- 457 ft-lb @ 1500 RPM

Fuel capacity : 170 l

Max hill : 70%

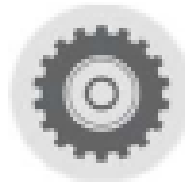
Max side hill : 40%

Front Car Capacity : 4 people

Rear Car Capacity :

- 12 people with regular seats
- 8 people with forward facing seats

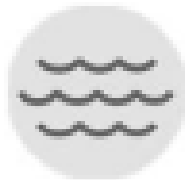
Fat Truck® 8x8 – Industrial Amphibious Off-Road Utility Vehicle



Mobility in extreme off-road terrains
-48°C to +52°C



16 people / 5000 lbs / 4 stretchers



Amphibious
and floats at full capacity



Low Maintenance
Hydrostatic Drive, Diesel Engine, Wheels, Industrial grades parts



40 km/h land - 5 km/h water
300km+ Range



Road Transport Legal
101 inches wide



Air-Transportable
Sling loaded

Wagon



Hauler



Tool Vehicle



